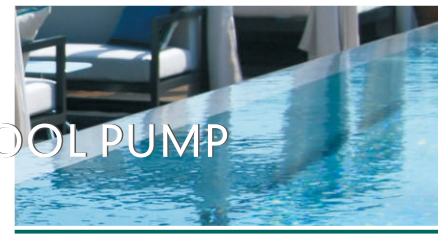




专业泳池泵

PROFESSIONAL SWIMMING POOL PUMP

ABS



- Internal innovative design with big suction power.
- Simple design basket, easy to take out and install.
- Ultra quiet and Ip55 motor.
- Come with two standard DN40 unions easy to install.
- Special materials are used. With superior pressure up to 6kg/cm².
- Suitable for maximum hot water temperature up to 70°C.
- Tailor-made impeller and mechanical seal, suitable for long time use.



- 内部创新设计，自吸力大。
- 简易设计，隔发器易取出易安装。
- 超静音设计、IP55 电机。
- 配有两个标准 DN40 活接，易安装。
- 特种材料制泵体，可承压 6kg/cm²。
- 最高适用于 70°C 温泉。
- 特制叶轮，机械轴封，适合超长时间使用。

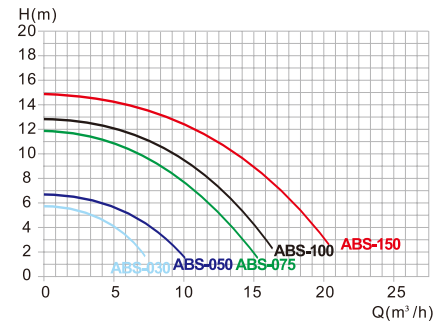
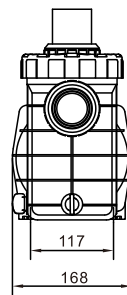
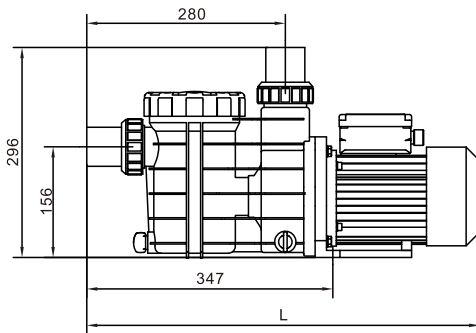
已注册外观与设计专利，仿冒必究！
Appearance and design patented, counterfeiting not allowed!

适用于各种类型泳池，承受压力**6kg/cm²**

Suitable for all kinds swimming pool, working pressure up to 6 kg/cm².

Specification and size:

技术参数及产品尺寸



Model 型号	Voltage 额定电压	Power 额定功率		Inlet/Outlet 进/出水口	Hmax 最大扬程	Qmax 最大流量	Length 长	Width 宽	Height 高
	(V)	KW	HP		(M)	(m³/h)	(mm)	(mm)	(mm)
ABS-030	220V/50Hz	0.25	1/3	DN40	6	7	500	168	245
ABS-050	220V/50Hz	0.37	1/2	DN40	7	10	500	168	245
ABS-075	220V/50Hz	0.55	3/4	DN40	12	15	500	168	245
ABS-100	220V/50Hz	0.75	1	DN40	13	16	500	168	245
ABS-150	220V/50Hz	1.1	1 1/2	DN40	15	20	500	168	245

★ 110V/220V/380V,50/60Hz 可定制。
110V/220V/380V,50/60Hz pump can be customized.